

# QLAS-50-90-15-32

50~90MHz, 15dB, 3.2dB

Features:  
 \* Broad Band  
 \* Low Noise

Applications:  
 \* Wireless  
 \* Receiver  
 \* Laboratory Test  
 \* Radar

## Electrical

Frequency:	50~90MHz
Gain:	15dB min.
Gain Flatness:	±0.2dB max.
Output Power (P1dB):	+10dBm min.
Noise Figure:	3.2dB max.
Spurious:	-60dBc max.
VSWR:	1.5 typ.
Voltage:	+220V AC
Impedance:	50Ω

## Mechanical

Size*1:	136*186*52mm 5.354*7.323*2.047in
RF Connectors:	SMA Female
[1] Exclude connectors, rack mount brackets, handles.	

## How To Order

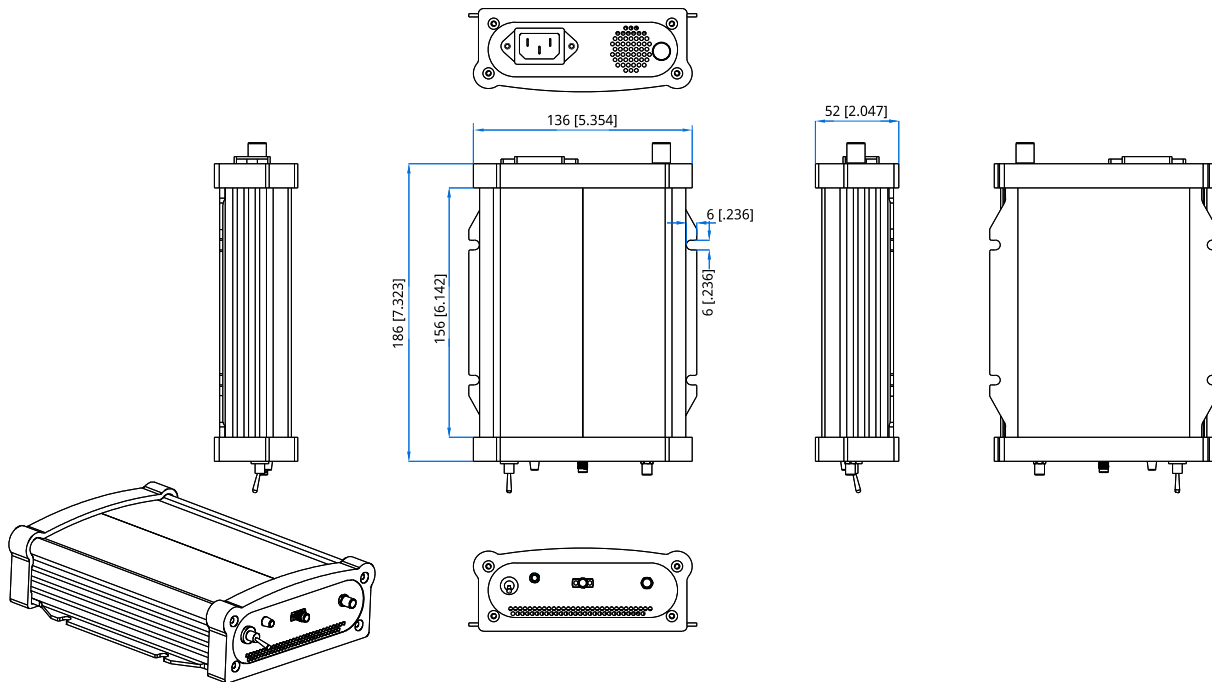
[QLAS-50-90-15-32](#)

Customization is available upon request.

## Environmental

Operating Temperature:	-20~+50°C
Non-operating Temperature:	-40~+85°C

## Outline Drawings



Unit: mm [in]  
 Tolerance: ±0.2mm [±0.008in]